
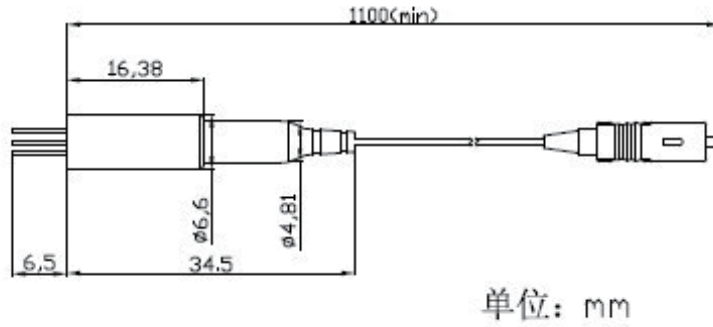


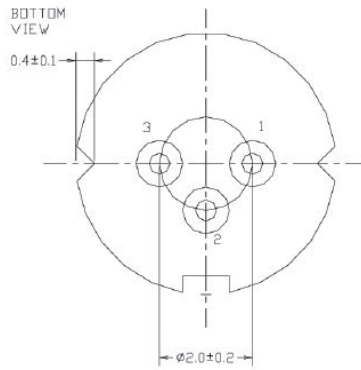
870nm~880nm 1mw SM Fiber Coupled LD with PMF  
 880nm Coaxial Pigtail Laser diodes with single mode fiber  
 WSLP-880-001m-PM-PD

880nm Pigtailed Diode Laser		1mW/PM Fiber		Wavespectrum Laser, Inc	
PARAMETER	SYMBOL	VALUE		UNIT	
Reverse Voltage	$V_r$	2.0		V	
Operating Temperature	$T_{op}$	-10~+60		°C	
Storage Temperature	$T_{stg}$	-10 ~ +85		°C	
Lead soldering temperature (10 sec.)	$T_{is}$	260		°C	
<b>Features:</b> <ul style="list-style-type: none"> <li>880nm</li> <li>PM Fiber</li> <li>Coaxial package</li> <li>Built-in PD</li> </ul>					
<b>Applications:</b> <ul style="list-style-type: none"> <li>Medical laser treatment</li> <li>Printing</li> </ul>					
<b>Specifications</b>		<b>WSLP-880-001m-PM-PD</b>			
		<b>Min</b>	<b>Type</b>	<b>Max</b>	
Center Wavelength@25°C		870nm	880nm	890nm	
Spectral Width (FWHM)		----	----	----	
Output Power		----	1mW	----	
Fiber Type		PM fiber			
Slope Efficiency		0.3mW/mA	0.5mW/mA	----	
Monitor Current		0.2mA	----	0.6mA	
PD Reverse Voltage		----	30V	----	
Fiber Connector		FC/ST/SMA905			
Fiber Length		----	80cm	100cm	
Threshold Current (Typ.)		----	10mA	15mA	
Operating Current (Typ.)		----	29mA	35mA	
Operating Voltage		----	2.2V	2.5V	
Package Style		Coaxial			

**Coaxial Package View**



**PIN Bottom View:**



1	PD(+)
2	LD(+)&PD(-)
3	LD(-)

**Electrically shorten LD module and store in non-extreme conditions.  
Suggest using the constant current power supply.**

